



Plastic control station with one actuators - Grey, 1 way LPZP1A8 LPZP1B801

Product designation

Product type designation

**General characteristics**

Colour	Grey
Material	Polycarbonate
IEC degree of protection	IP66, IP67, IP69K

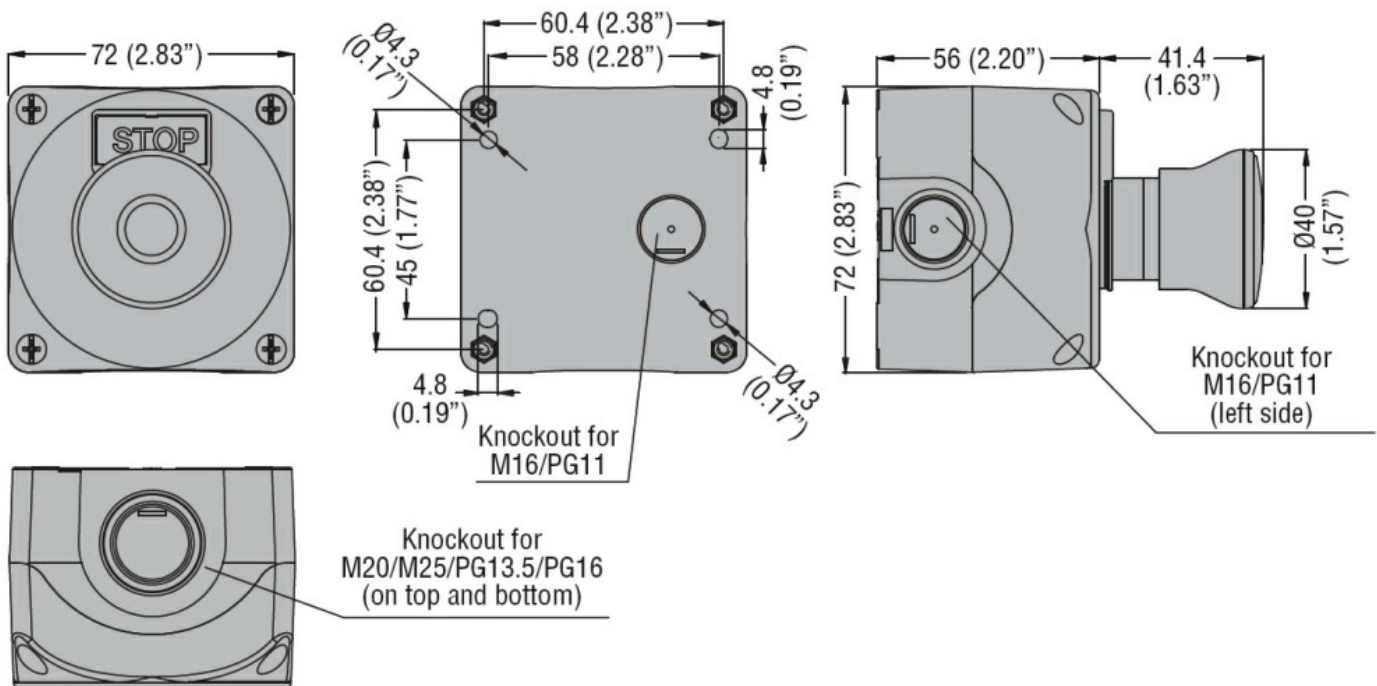
**Mechanical features**

Tightening torque for terminals max	Nm	1.8
Weight	g	150

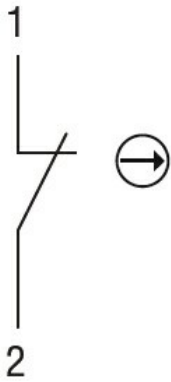
**Ambient conditions**

Temperature	Operating temperature	min	°C	-25
		max	°C	+70
Temperature	Storage temperature	min	°C	-40
		max	°C	+85

**Dimensions**



**Wiring diagrams**



**Certifications and compliance**

Compliance

CSA C22.2 n° 14  
 IEC/EN 60947-1  
 IEC/EN 60947-5-1  
 UL508

Certificates

cULus  
 EAC

**ETIM classification**

ETIM 8.0

EC000200 -  
 Enclosure for  
 control circuit  
 devices